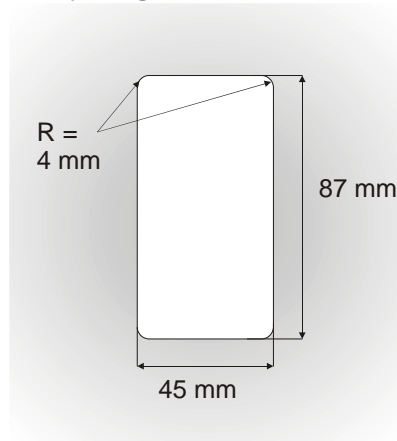


<b>COVERPLATE</b> Standard size for the following products	
<b>Nm 937</b>	No-Ha 2.0 mini: lock with WC closure
<b>Nm 938</b>	No-Ha 2.0 mini: lock
<b>NS 200</b>	No-Ha 2.0 Slide: Handle for sliding doors D=40 mm (thickness)
<b>NS 205</b>	No-Ha 2.0 Slide: Handle for sliding doors D=45 mm (thickness)
<b>NS 210</b>	No-Ha 2.0 Slide: Handle for sliding doors D=50 mm (thickness)
<b>NS 105</b>	No-Ha 2.0 Slide: Handle for sliding doors <u>one side</u>
<b>NK 250</b>	No-Ha 2.0 Single: Handle for cupboards and drawers.

<b>Coverplate codes</b>	
<b>P01</b>	MDF Plate with primer finish
<b>P02</b>	INOX Plate in brushed stainless steel

**Dimintions :**

Opening in the door



Coverplate

