

Functional features

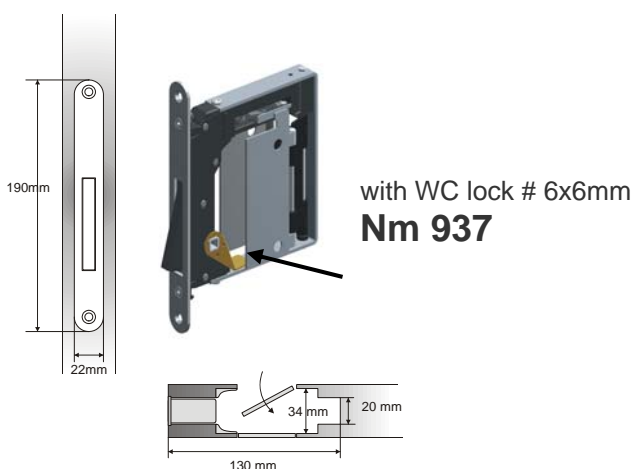
The "Cartel" doorknob has been specially designed for the No-Ha 2.0 L lock in order to retain the door's minimalist appearance as much as possible.

"Cartel" is made of stainless steel and is used to lock the toilet door on one side.

This model, which is completely made of stainless steel, also avoids any metal interference to the magnetic mechanism of the No-Ha lock.

Other commercially available doorknobs may also be used, as long as the #6x6 square rod is made of a non-ferrous metal.

www.no-ha.com



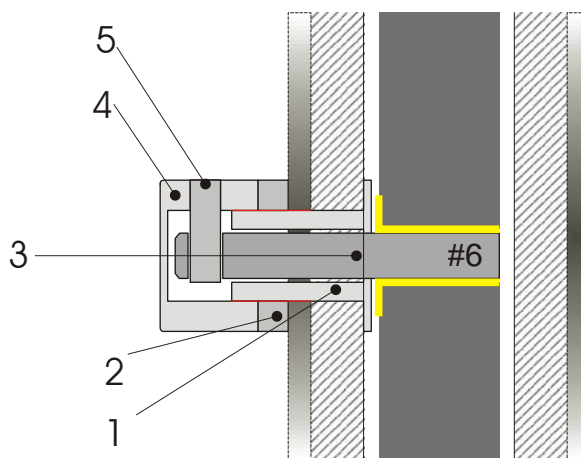
Remark!

In an emergency, it is possible to open the door from the outside in a simple manner by sliding a sheet of paper downwards between the door and the covering material where the lock is situated

Code: **S012**

Assembly

- Fit component 1 on the inside of the door.
- Screw component 2 onto component 1
- Slide the square section, component 3, into the lock.
- Hand-tighten component 4 into component 1 (NOT too tightly).
- Finish by screwing component 5 into component 4, so that component 5 fits into the opening of component 3.



Joakim  Products

info@no-ha.com – www.no-ha.com

tel: +32 (0)489 511 741 – B- 3545 Halen – België

Part of the **No-Ha collection**

Design by Fr.Vanderick

Produced in BELGIUM